



25W

INDUCTION SPEED CONTROL MOTOR

□ 80mm CONNECTOR TYPE

SIZE mm sq.	Motor Type	Controller Type	Poles	Output (W)	Voltage (V)	Freq. (Hz)	Duty	Speed Range (rpm)	Permissible Torque				Starting Torque		Cap. (μF)
									at 1200rpm		at 90rpm		(kg-cm)	(N-m)	
80	S8I25GA-V12 S8I25GA-V12(TP) S8I25GA-V12CE	SUA25IA-V12	4	25	1 ∅ 110	60	Cont.	90-1700	1.70	0.170	0.08	0.080	1.50	0.150	6.0
	S8I25GB-V12 S8I25GB-V12(TP) S8I25GB-V12CE	SUA25IB-V12	4	25	1 ∅ 220	60	Cont.	90-1700	1.70	0.170	0.08	0.080	1.50	0.150	1.5
	S8I25GC-V12 S8I25GC-V12(TP) S8I25GC-V12CE	SUA25IC-V12	4	25	1 ∅ 100	50 60	Cont.	90-1400 90-1700	1.60 1.50	0.160 0.150	0.55	0.055	1.10	0.110	6.0
	S8I25GD-V12 S8I25GD-V12(TP) S8I25GD-V12CE	SUA25ID-V12	4	25	1 ∅ 200	50 60	Cont.	90-1400 90-1700	1.60 1.50	0.160 0.150	0.55	0.055	1.10	0.110	1.5
	S8I25GX-V12 S8I25GX-V12CE	SUA25IX-V12	4	25	1 ∅ 220 1 ∅ 240	50	Cont.	90-1400	1.50 1.80	0.150 0.180	0.50 0.50	0.050 0.050	1.00 1.20	0.100 0.120	1.5

- ❖ CE marked at the end of motor model name indicates that it is impedance protected type which has received CE.
- ❖ TP marked at the end of the motor model name indicates that it is standard motor with Thermal Protector mounted.
- ❖ S8I25GX-V12, S8I25GX-V12CE is thermally protected type with TP mounted.
- ❖ "L" or "H" type does not apply to motors under 40W.

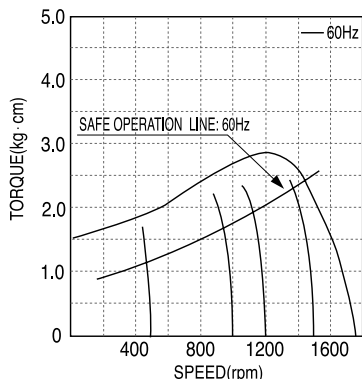
50Hz

GEAR RATIO	MODEL																								
	rpm	500	416	300	250	200	166	150	120	100	83	75	60	50	41	37	30	25	20	16	15	12	10	8	7.5
S8KA□B	kg-cm	5.3	6.4	8.9	10.7	13.4	16.0	17.8	22.3	26.7	32.1	32.1	40.2	48.2	57.8	64.2	72.6	80.0	80.0	80.0	80.0	80.0	80.0	80.0	80.0
	Nm	0.519	0.627	0.872	1.049	1.313	1.568	1.744	2.185	2.617	3.146	3.146	3.940	4.724	5.664	6.292	7.115	7.840	7.840	7.840	7.840	7.840	7.840	7.840	7.840

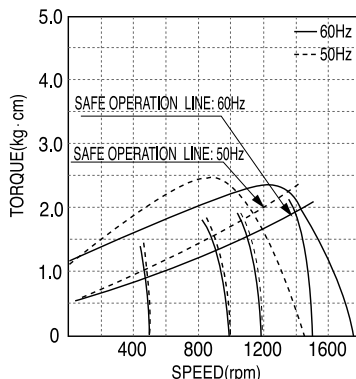
60Hz

GEAR RATIO	MODEL																								
	rpm	600	500	360	300	240	200	180	144	120	100	90	72	60	50	45	36	30	24	20	18	15	12	10	9
S8KA□B	kg-cm	4.4	5.2	7.3	8.7	10.9	13.1	14.6	18.2	21.9	26.2	26.3	32.9	39.4	47.3	52.6	59.4	71.3	80.0	80.0	80.0	80.0	80.0	80.0	80.0
	Nm	0.431	0.510	0.715	0.853	1.068	1.284	1.431	1.784	2.146	2.568	2.577	3.224	3.861	4.635	5.155	5.821	6.987	7.840	7.840	7.840	7.840	7.840	7.840	7.840

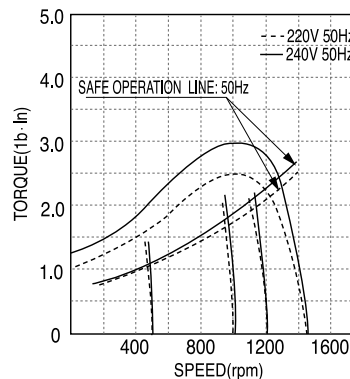
- ❖ The code in □ of gearhead model is for gear ratio.
- ❖ It is the permissible torque of the assembled motor and gearhead.
- ❖ The permissible torque of the motor and inter-decimal gearhead is 80 kg-cm.
- ❖ ■ color indicates that the output shaft of the geared motor rotates in the same direction as the output shaft of the motor. Others indicate rotation in the opposite direction.
- ❖ Rpm is based on synchronous speed (50Hz: 1500rpm, 60Hz: 1800rpm) divided by gear ratio.
- ❖ The actual rotation speed can be 2~20% less than displayed value depending on the load.
- ❖ "L" or "H" type does not apply to motors under 40W.



▲ S8I25GA-V12 S8I25GB-V12
S8I25GA-V12(TP) S8I25GB-V12(TP)
S8I25GA-V12CE S8I25GB-V12CE



▲ S8I25GC-V12 S8I25GD-V12
S8I25GC-V12(TP) S8I25GD-V12(TP)
S8I25GC-V12CE S8I25GD-V12CE

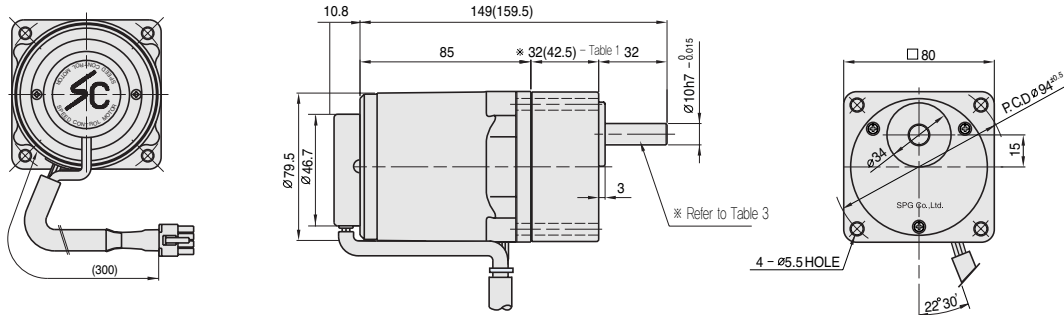


▲ S8I25GX-V12
S8I25GX-V12CE

DIMENSIONS

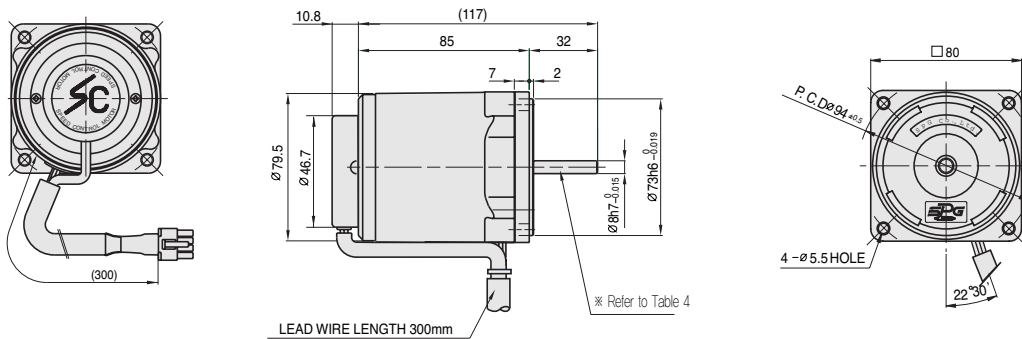
+ GEARED MOTOR

* MOTOR MODEL : S8(15,25)G□-V12
 * HEAD MODEL : S8□A3□~S8□A200□



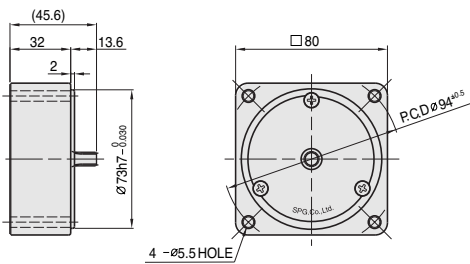
+ MOTOR

* MOTOR MODEL : S8(15,25)□□-V12

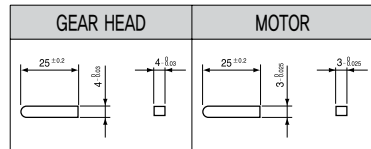


+ INTER-DECIMAL GEAR HEAD

* MODEL : S8GX10B



+ KEY SPEC



+ ※32(42.5) - (Table 1)

GEAR RATIO	SIZE(mm)
S8□A3□ ~ S8□A18□	32
S8□A20□ ~ S8□A200□	42.5

+ WEIGHT - (Table 2)

PART	WEIGHT(kg)	
15W MOTOR	1.6	
25W MOTOR	1.6	
DECIMAL GEAR HEAD	0.43	
GEAR HEAD	S8□A3□ ~ S8□A18□	0.43
	S8□A20□ ~ S8□A40□	0.57
	S8□A50□ ~ S8□A200□	0.61

+ SPEC for output shaft of gearhead - (Table 3)

MODEL	TYPES OF OUTPUT SHAFT
S8SA3□ ~ S8SA200□	STRAIGHT TYPE
	D-CUT TYPE
S8DA3□ ~ S8DA200□	KEY TYPE

+ SPEC for output shaft of motor - (Table 4)

MODEL	TYPES OF OUTPUT SHAFT
S8I15G□-V12 S8I25G□-V12	GEAR TYPE
	STRAIGHT TYPE
S8I15D□-V12 S8I25D□-V12	D-CUT TYPE
	KEY TYPE