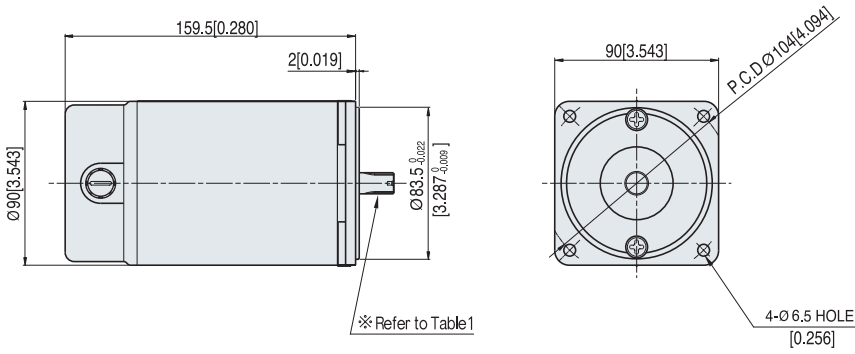




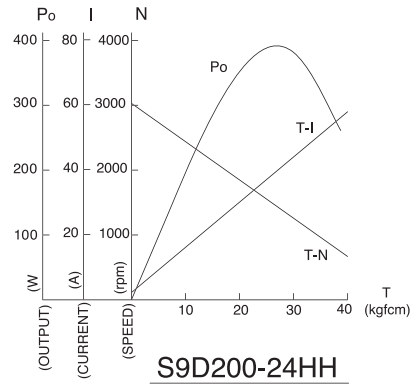
STANDARD TYPE S9D SERIES [200W]

MOTOR DIMENSION

UNIT : mm[inch]



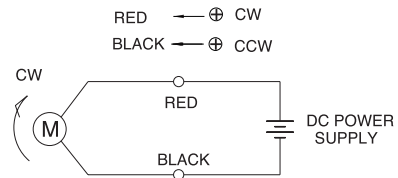
CHARACTERISTIC CURVE



▼ SPEC for output shaft of motor-(Table 1)

MODEL	GEARED TYPE S9D300-□HH	STRAIGHT TYPE S9D300-□S	D-CUT TYPE S9D300-□D	KEY TYPE S9D300-□K
TYPE OF OUTPUT SHAFT				

CIRCUIT DIAGRAM



The direction of motor rotation is as viewed from the front shaft end of the motor

MOTOR SPECIFICATION

(Voltage : DC 24V)

Type	Voltage V	Output W	No Load		At Rated Lod			Run Duty Hr	Weight Kg	
			Speed RPM	Current(MAX.) A	Speed RPM	Torque				Current A
						N-m	oz-in			
S9D200-12□	12	200	3050	3.2	2260	0.843	N-m	27.0	2000	4.5
						119.3	oz-in			
						8.60	kgf · cm			
S9D200-24□	24	200	3050	2.0	2600	0.735	N-m	12.0	2000	4.5
						104.1	oz-in			
						7.50	kgf · cm			
S9D200-90□	90	200	3050	0.5	2670	0.715	N-m	2.8	2000	4.5
						101.3	oz-in			
						7.30	kgf · cm			

※ Run duty is valued at rated Voltage and No load

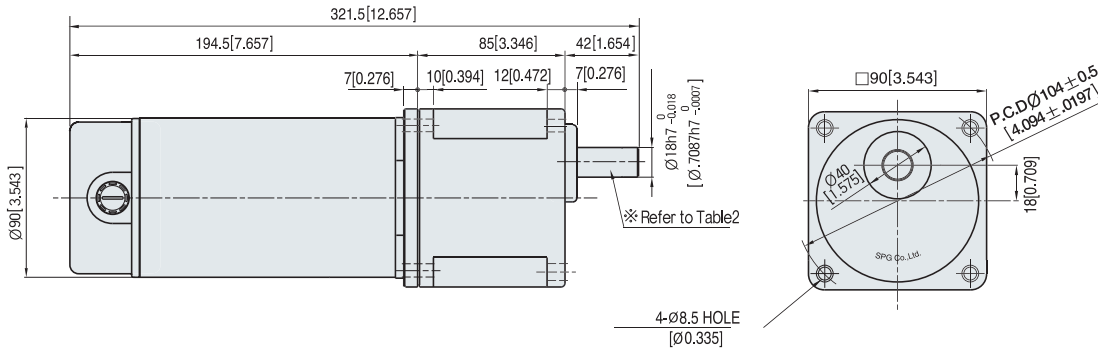
21C, for World geared motor!



GEARED MOTOR SPECIFICATION

UNIT : mm[inch]

▼ **GEARED MOTOR** ※ MOTOR MODEL : S9D300-□HH
 ※ HEAD MODEL : S9□H3B~S9□H200B



▼ ※30(40) – (Table1)

PART		WEIGHT:kg(oz)
MOTOR		5.0(176.4)
GEAR HEAD	S9 □ H3B ~S9 □ H10B	1.65(58.2)
	S9 □ H12.5B ~S9 □ H20B	1.80(63.5)
	S9 □ H25B ~S9 □ H60B	1.90(67.0)
	S9 □ H75B ~S9 □ H200B	1.95(68.8)

▼ SPEC for output shaft of gearhead-(Table2)

MODEL	TYPES OF OUTPUT SHAFT
S9SH3B ~S9SH200B	STRAIGHT TYPE
	D-CUT TYPE
S9DH3B ~S9DH200B	KEY TYPE

▼ KEY SPEC

GEAR HEAD	MOTOR

GEAR HEAD RATED LOAD

S9D200-90HH

MODEL	GEAR RATIO	3	3.6	5	6	7.5	9	10	12.5	15	18	20	25	30	36	40	50	60	75	90	100	120	150	180	200
	No Load rpm		1017	847	610	508	407	339	305	244	203	169	153	122	102	85	76	61	51	41	34	31	25	20	17
S9KH□ B	N-m	1.74	2.09	2.90	3.48	4.35	5.22	5.79	6.52	7.82	9.39	10.43	10.56	14.08	16.90	18.77	23.47	28.16	29.40	29.40	29.40	29.40	29.40	29.40	29.40
	oz-in	246.2	295.4	410.3	492.3	615.4	738.5	820.5	923.1	1107.7	1329.3	1477.0	1495.4	1993.9	2392.7	2658.5	3323.2	3987.8	4163.0	4163.0	4163.0	4163.0	4163.0	4163.0	4163.0
	kgf·cm	17.7	21.3	29.6	35.5	44.3	53.2	59.1	66.5	79.8	95.8	106.4	107.8	143.7	172.4	191.6	239.5	287.4	300.0	300.0	300.0	300.0	300.0	300.0	300.0

- The code in ■ of gearhead model is for gear ratio
- It is the permissible torque of the assembled motor and gearhead
 The permissible torque of the combination of the regular gearhead and the inter-decimal gearhead is 30kgf·cm.
- ■ color indicates that the output shaft of the geared motor rotates in the same direction as the output shaft of the motor.
 Others indicate rotation in the opposite direction.
- No Load rpm equals Motor no load rpm divided by gear ratio. The actual rotation speed is less 2-20% than the displayed value according to the load
- There is no marked the 'L' code for it is an exclusive use.