



# PCH Series 3-Phase

# 0.4kW

## ■ SPECIFICATION

### ■ MOTOR

Output (kW)	Model Name	Poles	Voltage (V)	Freq. (Hz)	Rated Load			Duty	Degrees of protection	Insulation Classification	Protective Cooling System
					Current (A)	Speed (r/min)	Efficiency (%)				
0.4	PCH□-□-M□040R4□	4	220/380	60	2,00/1,20	1730	74,1	CONT.	IP55	F	Totally Enclosed Fan-Cooled
	PCH□-□-M□040W6□	4	200	50	2,20	1450	74,2				
			200/220	60	1,80/1,90	1735/1745	76,4/75,7				
	PCH□-□-M□040X6□	4	380/400	50	1,10/1,10	1425/1430	75,5/74,1				
400/440			60	1,00/1,00	1710/1725	75,4/75,2					

- The Brake Geared Motor is divided into 2 models: one is a non-water proof product with IP40 while the other is a waterproof product with IP55.
- The Models with IP40 and IP55 have the same electric characteristics.

### ■ GEARED MOTOR – 50Hz

Frame No.	30											35						
	Reduction gear ratio	5	7,5	10	12,5	15	20	25	30	40	50	60	80	100	120	160	★200	★240
Rotation speed (r/min)	300	200	150	120	100	75	60	50	37,5	30	25	18,8	15	12,5	9,4	7,5	6,3	
Allowable torque	kgf · m	1,10	1,70	2,29	2,85	3,40	4,50	5,60	6,79	8,99	11,3	13,6	17,6	22,1	26,5	32,7	32,7	35,6
	N · m	10,8	16,7	22,5	27,9	33,3	44,1	54,9	66,6	88,2	111	133	173	217	260	321	321	349
Allowable O.H.L	kgf	200	225	250	265	280	310	330	340	360	360	360	380	380	380	380	380	380
	N	1960	2205	2450	2597	2744	3038	3234	3332	3528	3528	3528	3724	3724	3724	3724	3724	3724

### ■ GEARED MOTOR – 60Hz

Frame No.	30											35						
	Reduction gear ratio	5	7,5	10	12,5	15	20	25	30	40	50	60	80	100	120	160	★200	★240
Rotation speed (r/min)	360	240	180	144	120	90	72	60	45	36	30	22,5	18	15	11,3	9	7,5	
Allowable torque	kgf · m	0,92	1,41	1,90	2,35	2,79	3,79	4,70	5,70	7,49	9,39	11,3	14,8	18,4	22,1	27,3	27,3	29,6
	N · m	9,02	13,8	18,6	23	27,4	37,2	46,1	55,9	73,5	92,1	111	145	180	217	268	268	290
Allowable O.H.L	kgf	200	225	250	265	280	310	330	340	360	360	360	380	380	380	380	380	380
	N	1960	2205	2450	2597	2744	3038	3234	3332	3528	3528	3528	3724	3724	3724	3724	3724	3724

- Note) • Permissible Torque is limited for products with a mark "★" of reduction gear ratio  
 • Permissible O.H.L (allowable overhung load) is based on the central part of the outlet length for output shaft  
 • Rotation direction of color ■ is opposite of other color □  
 • Self Locking is unavailable.

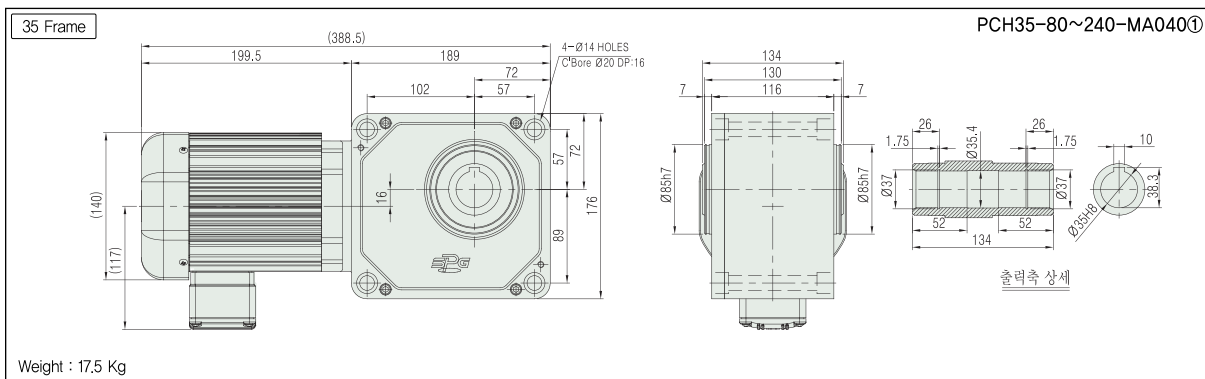
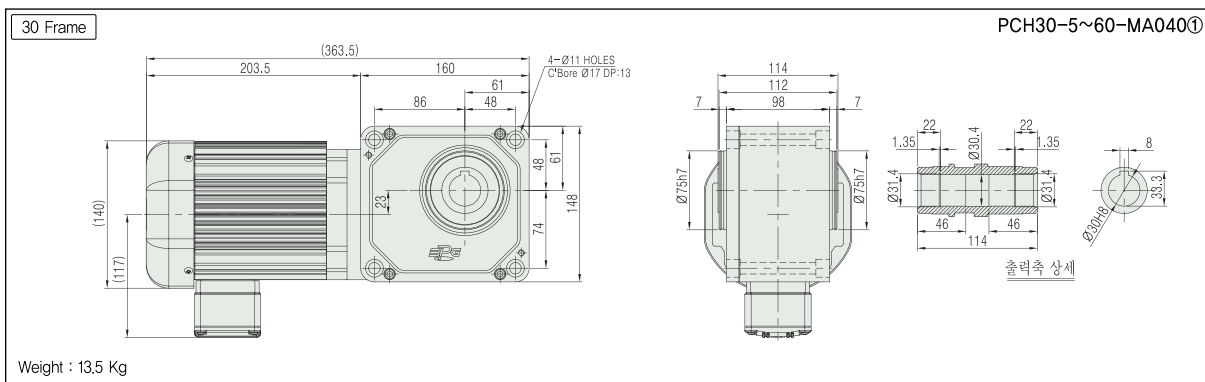
Model Name Coding  
 36Page

Specification for output shaft  
 70Page

Technological Data  
 101Page

■ PCH TYPE DIMENSIONS [ Lead wire Box Type ]

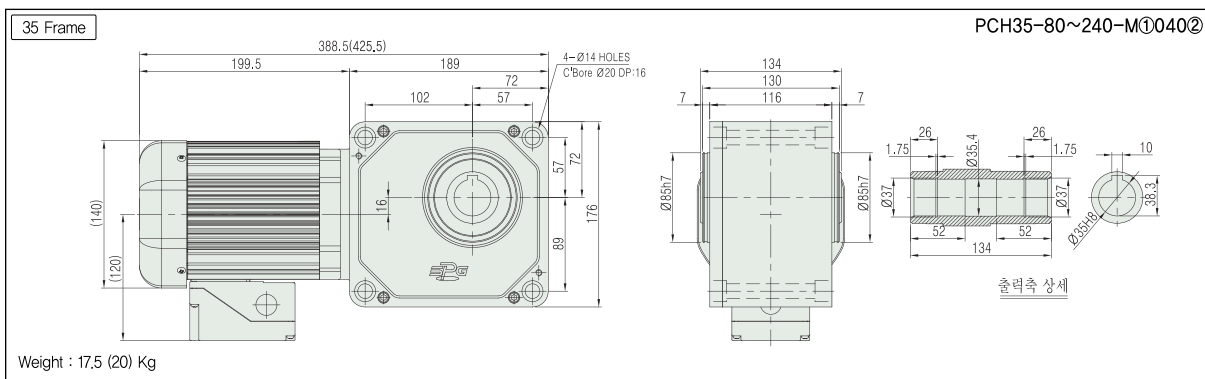
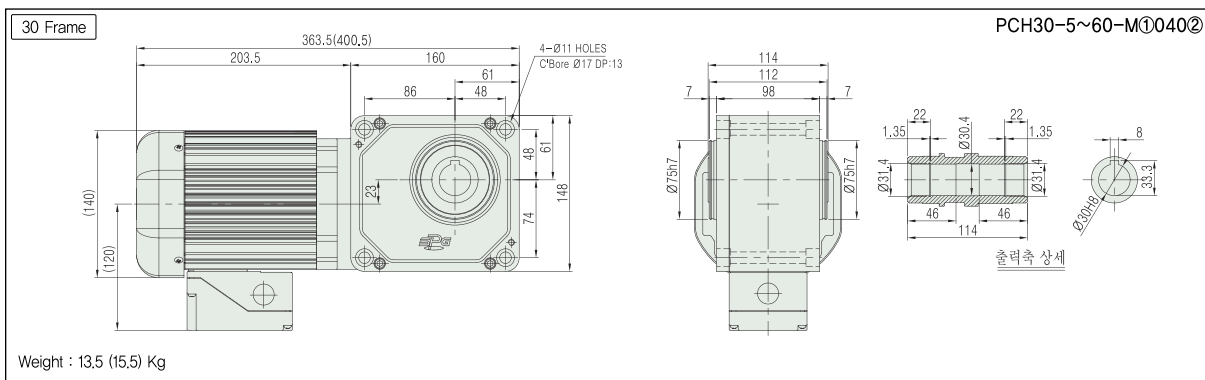
UNIT = mm



■ PCH TYPE DIMENSIONS [ Terminal Box Type ]

- Note) • Dimensions for IP40 model and IP55 model are the same.  
 • The brake-attached model is applied to the Terminal Box Type for basic features, but does not apply to the lead wire box type.  
 • (l) dimension and weight in dimensions is for brake attached model specification

UNIT = mm



- **Model type** ① : Motor option (B, C, D)  
 ② : Power (Voltage & Frequency)

Model Name Coding  
 36Page

Specification for output shaft  
 70Page

Technological Data  
 101Page